



COLOR USB CAMERA



W-01U2

(Preliminary Specs SUBJECT TO CHANGE)



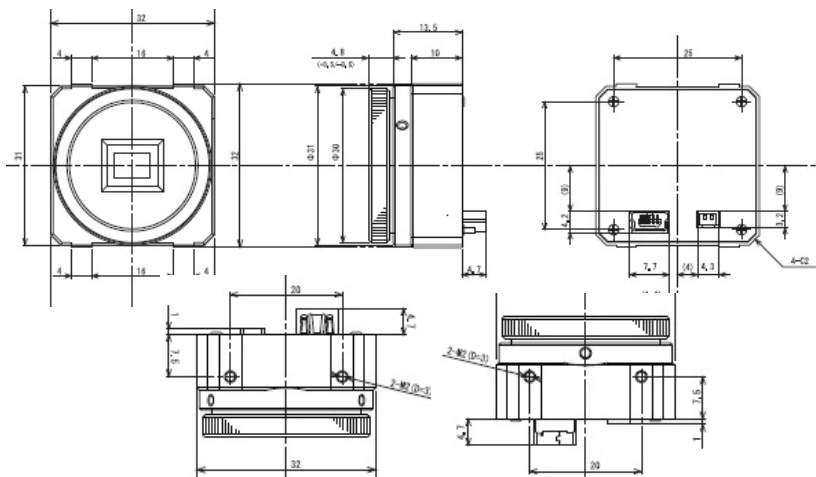
[CHARACTERISTICS]

- Miniature, Color USB camera
- USB miniB video class
- Convenient back focusable CS Mount
- Over 680TVL
- Detachable cabling harnesses
- Low Voltage 6VDC provided by USB bus

[SPECIFICATIONS]

- 1/2.8" CMOS: Progressive
- Effective pixels: 1984(H)X1225(V)
- Resolution: More than 680TVL
- Minimum illumination: 0.25lux @
- Output Types: 640x480 1280x720, 1280x800, 1280x1024, 1920x1080
- AE mode: FIXED 1/15, 1/30, 1/60, 1/120, 1/250, 1/500, 1/1000, 1/2000, 1/4000, 1/8000, 1/16000 sec.
- AE Mode: EI 1/30 - 1/16000 sec.
(Slow shutter: 1/15 - 1/16000 sec.)
- AGC AUTO 0 ~ 42dB
- AGC MANUAL 0 ~ 24dB (24 steps)

COLOR USB miniB



SPECIFICATIONS

Model		WAT-01U2
Pick-up element		1/2.8-inch CMOS image sensor
Number of effective pixels		1984(H) × 1225(V)
Synchronizing system		Internal
Scanning system		Progressive
Resolution (Horizontal)		More than 680TVL (Center, YUY2)
Output format		USB miniB, USB video class
Minimum illumination		0.25lx (F1.4, 1/30s)
Output size		160×120, 176×144, 320×240, 640×480, 1280×720, 1280×800, 1280×1024, 1920×1080
Maximum frame rate		30 fps
AE mode	Fix shutter	1/15, 1/30, 1/60, 1/120, 1/250, 1/500, 1/1000, 1/2000, 1/4000, 1/8000 sec.
	EI	1/30 - 1/8000 sec. (Slow shutter: 1/15 - 1/8000 sec.)
AGC	Auto	0 - 42dB
	Manual	0 - 24dB (25 steps)
White balance	ATW	2800 - 9500K
	MWB	2800 - 6500K
Back light compensation		ON (Center) / OFF
Power supply		DC+5V (Supplied by the USB bus)
Power consumption		0.6W (120mA)
Operating temperature		-10 - +50°C
Operating humidity		95%RH or less (Without condensation)
Storage temperature		-30 - +70°C
Storage humidity		95%RH or less (Without condensation)
Lens mount		CS mount (Back focus adjustable)
Weight		Approx. 35g

※Design and specifications are subject to change without notice.

Minimum System Requirements

CPU	800MHz or faster
RAM	512MB or larger
Others	USB2.0 port

Recommended System Specifications

CPU	Intel® Core™ i Series or newer
RAM	2GB or larger
Others	USB2.0 Port 1920 × 1080 or better resolution display

Operation Confirmed OS

- Windows® XP 32bit/64bit (SP2, SP3) ※with Limited Functions (Refer to the following table)
- Windows® Vista 32bit/64bit
- Windows® 7 32bit/64bit
- Windows® 8 32bit/64bit

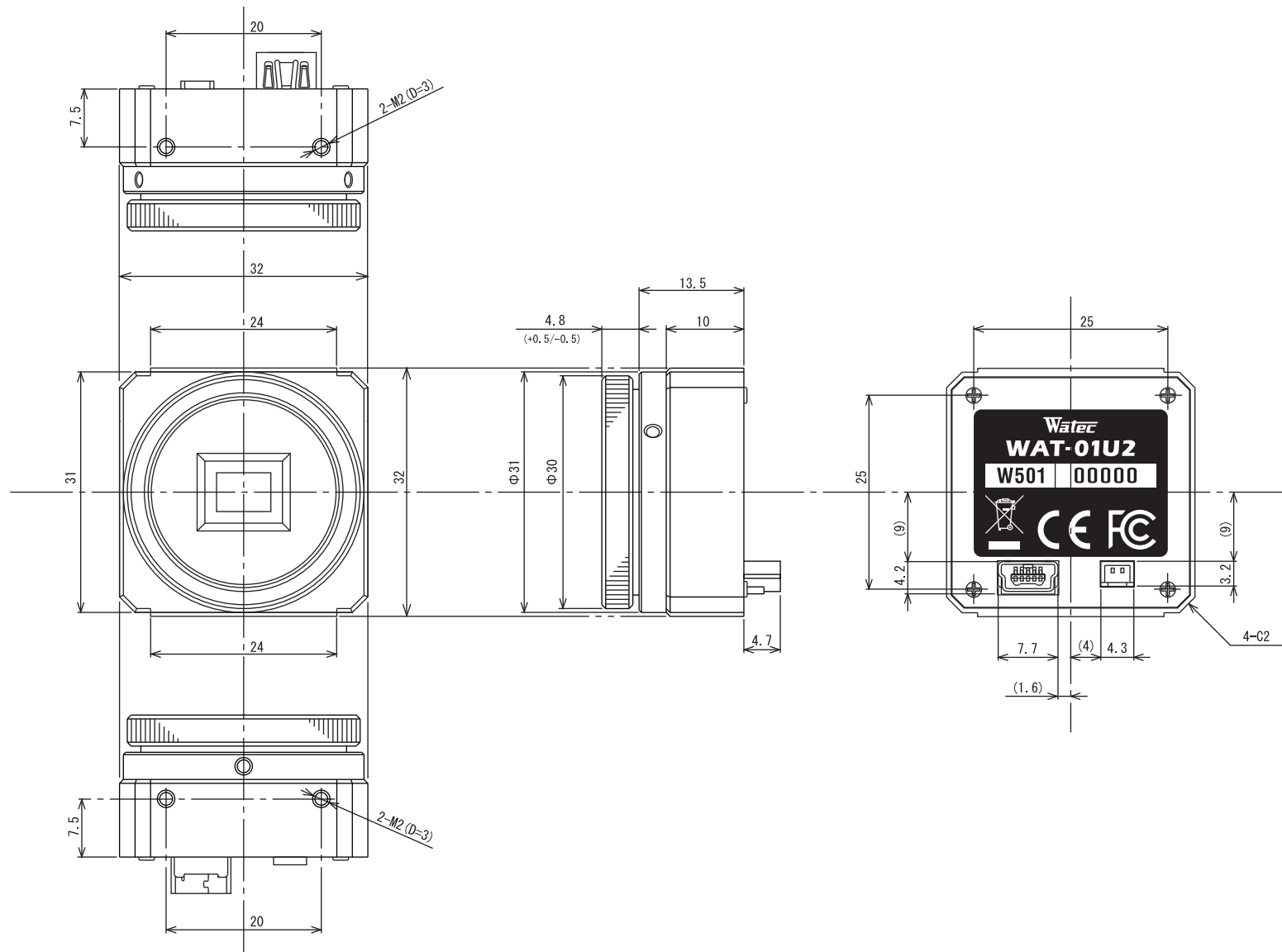
Adjustable Items

Function	Windows® Vista or newer	Windows® XP
Brightness	○	○
Contrast	○	○
Hue	○	○
Saturation	○	○
Sharpness	○	○
Gamma	○	○
White Balance	○	○
Backlight Comp	○	○
Gain	○	×
Anti Flicker	○	×
Exposure	1/15 - 1/8000 sec.	1/30 - 1/8000 sec.
Low Light Compensation	○	×

※Windows is a registered trademark of Microsoft Corporation in the United States, Japan and other countries.

※Intel Core is a registered trademark of Intel Corporation in the United States and other countries.

DIMENSIONS (mm)





USB Camera

WAT-01U2

Operation Manual

This Operation Manual covers safety, camera functions, installation and the correct operating procedure for the WAT-01U2. First, we ask you to read this Operation Manual thoroughly, then install and operate the WAT-01U2 as advised. In addition, for future reference, we also advise safekeeping of this manual.

Please contact the distributor or dealer from which the WAT-01U2 was purchased, if you do not understand the installation, operation or safety instructions laid out in this manual. Not understanding the contents of the Operation Manual sufficiently may cause damage to the camera.

Guide to the Safety Symbols

The definitions of the symbols used in this operation manual are:

Danger When you do not adhere to or take notice of the "Danger" sign, it may lead to a serious accident such as death or injury caused by fire or electric shock.

Warning When you do not adhere to or take notice of the "Warning" sign, it may cause severe damage such as a physical injury.

Caution When you do not adhere to or take notice of the "Caution" sign, it may incur injury and cause damage to peripheral objects in the immediate surroundings.

Cautions for Safety

The WAT-01U2 is designed to be used safely; however, if not used safely, it may lead to a physical accident caused by fire and electric shock. Therefore, please keep and read the "Cautions for safety" below for protection against accidents.

- Danger** Do not disassemble and/or modify the WAT-01U2.
- Do not operate the WAT-01U2 with wet hands.

- Warning** Do not expose the WAT-01U2 to wetness or high moisture conditions. The WAT-01U2 is designed and approved for indoor use only. The WAT-01U2 is not water-resistant or waterproof. If the location of the camera is outdoors or in an outdoor like environment, we recommend that you use an outdoor camera housing.

- Protect the WAT-01U2 from condensation.** Keep the WAT-01U2 dry at all times during storage and operation.
- Should the camera not work properly, switch off the power immediately. Then check the camera according to the "Problems and Trouble shooting" section.

- Caution** Avoid the striking of hard objects or dropping the WAT-01U2. The WAT-01U2 uses high quality electrical parts and precision components.

- Do not connect any power supply directly to the video out terminal of the unit.** Do not connect the WAT-01U2 with any monitor using a video/ power single transmission terminal. The WAT-01U2 is not designed for use with this type of equipment. We also advise you to read the operation manual of the monitor you plan to use before any connections are made.

- Do not install the WAT-01U2 in a position subject to direct sunlight.** Sunlight shinning directly onto the WAT-01U2 lens can cause damage to the sensor.

- Select a stable place for installation of the WAT-01U2.** Use a support of durable strength around an installation position on a ceiling or wall when a camera stand or tripod is used.

- Do not move the WAT-01U2 with the cables connected.** Before moving the WAT-01U2, always remove the cable from the camera first.

- Avoid using the WAT-01U2 near any strong electro-magnetic field.** After installing into main equipment, if the WAT-01U2 is exposed to electromagnetic waves causing the monitored image to become distorted, we recommend the camera be shielded by appropriate protective casing.

Problems and Trouble Shooting

If any of the following problems occur when using the WAT-01U2,

- An optimal picture cannot be obtained, after checking that all the cables and connections are correctly in place
- Smoke or any unusual odor emerges from the WAT-01U2
- An object becomes embedded or a quantity of liquid seeps into the camera housing
- More than the recommended voltage or/and amperage has been applied to the WAT-01U2 by mistake
- Anything unusual occurring to any equipment connected to the WAT-01U2

Disconnect the camera immediately according to the following procedures:

① Switch off the main power supply to the camera.

② Remove the cables connected to the WAT-01U2.

③ Contact the distributor or dealer from which the WAT-01U2 was purchased.

About EMC

The WAT-01U2 is in conformity with EMC test standards carried out by authorized organizations in Japan.

FCC Part15 class A
EN55022 / EN55024

※Compliance with EMC standards are confirmed using components/peripheral accessories included with the camera.

Danger Do not modify the WAT-01U2. A modified camera may not conform to EMC test standards.

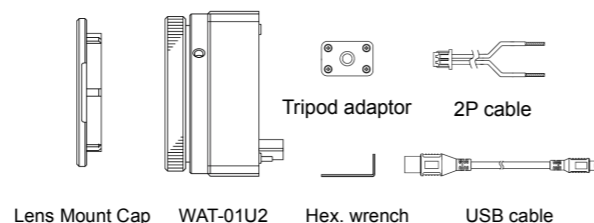
This device complies with part 15 of the FCC Rules. Operation is subject to the following two conditions: (1) This device may not cause harmful interference, and (2) this device must accept any interference received, including interference that may cause undesired operation.

Note: This equipment has been tested and found to comply with the limits for a Class A digital device, pursuant to Part 15 of the FCC Rules. These limits are designed to provide reasonable protection against harmful interference when the equipment is operated in a commercial environment. This equipment generates, uses, and can radiate radio frequency energy and, if not installed and used in accordance with the instruction manual, may cause harmful interference to radio communications. Operation of this equipment in a residential area is likely to cause harmful interference in which case the user will be required to correct the interference at his own expense.

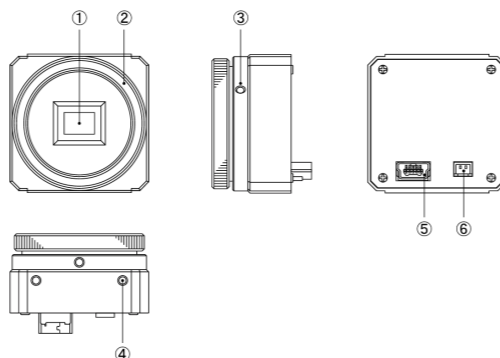
Watec, Inc.
1450 Route 300, Building 2, Suite 204 Newburgh, NY 12550, USA
TEL: +1-845-359-1490 FAX: +1-845-359-1391

Contents

Using the contents figures below, make sure all parts are present before use.



Description of Parts



① IMAGE SENSOR FRONT FACE

- The light receiving face of the image sensor (Dirt, water or oil deposits on the image sensor will cause an unclear picture on the monitor. Attach the lens cap to protect the lens and the sensor from contamination and damage.)

② LENS MOUNT

- Mount for the lens (CS-mount)

③ FINE FOCUS ADJUSTMENT SCREWS

- There are 3 hex. adjustment screws each placed at intervals of 120° for fine focusing of the lens.

④ MOUNTING FEATURES

- Two mounting holes for M2 fasteners located on each of the top and bottom surfaces.

⑤ USB mini-B CONNECTOR

- For USB connection.

⑥ GPIO CONNECTOR

- General Purpose Input/Output connector. (Please refer to the User's Manual)

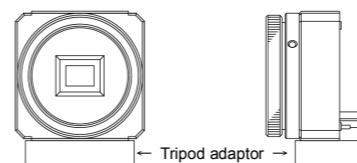
Set-up and Operation

- Ensure that the power to the WAT-01U2 and the peripheral equipment is turned off before making any connections.
- Remove the lens mount cap from the WAT-01U2 and attach the CS-mount lens. Use the optional C-mount adaptor (30CMA-R) when a C-mount lens is used.
- Connect WAT-01U2 with the PC, using an attached cable.
- Start the software application and adjust the lens while viewing the image displayed. If further focus adjustment is required, use the hex wrench (included) and loosen the ③ FINE FOCUS ADJUSTMENT SCREWS and rotate the lens to adjust the focus. After completion of adjustment, please make sure that the screws are securely fastened.

About tripod adaptor

If using the mounting bracket (included), please refer to the figure below and secure the bracket to the camera using the M2x6mm screws (included).

<Adaptor Installation Example>



Options

To purchase these options, please contact the distributor or dealer from which you purchased the WAT-01U2.



C-mount Adaptor (30CMA-R)

This lens mount adaptor is used to convert a CS-mount to a C-mount.

关于电子信息产品污染控制标识

环境使用期限	名称	有害物质或元素					
		铅	镉	汞	六价铬	PBB	PBDE
10	外壳	○	○	○	○	○	○
	电子零部件	×	○	○	○	○	○
	电阻基板	○	○	○	○	○	○
	附件	○	○	○	○	○	○
	其它金属	○	○	○	○	○	○

○:表示该有害物质在该部件所有均质材料中的含量的在SJ/T 11363-2006规定的限量要求以下。
×:表示该有害物质至少在该部件的某一均质材料中的含量超出SJ/T 11363-2006规定的限量要求。
尚无制造代用品的技术。

生产日期位于包装的上面	
年	月
2011	11
2012	10

Specifications

Model		WAT-01U2
Pick-up Element	1/2.8-inch CMOS image sensor	
Number of Effective Pixels	1984(H) × 1225(V)	
Sync. System	Internal	
Scanning System	Progressive	
Video Output	USB miniB, USB video class (Compatible)	
Resolution (H)	More than 680TVL (Center, YUY2 output)	
Minimum Illumination	0.25 lx. (F1.4, 1/30s)	
Output size	160×120, 176×144, 320×240, 640×480, 1280×720, 1280×800, 1280×1024, 1920×1080	
Max. frame rate	30 fps	
AE mode	Fix shutter	1/15, 1/30, 1/60, 1/120, 1/250, 1/500, 1/1000, 1/2000, 1/4000, 1/8000 sec.
	EI	1/30 - 1/8000 sec. (Slow shutter: 1/15 - 1/8000 sec.)
AGC	Auto	0 - 42dB
	Manual	0 - 24dB (25 steps)
White balance	ATW	2800 - 9500K
	MWB	2800 - 6500K
Back Light Compensation	ON (Center) / OFF	
Power Supply	DC+5V (Supplied by the USB bus)	
Power Consumption	0.6W (120mA)	
Operating Temperature	-10 - +50°C	
Operating Humidity	Less than 95% RH (Without condensation)	
Storage Temperature	-30 - +70°C	
Storage Humidity	Less than 95% RH (Without condensation)	
Lens Mount	CS-mount (Back focus adjustable)	
Size	32(W) × 32(H) × 23(D) (mm)	
Weight	Approx. 35g	

Min. System Requirements

CPU	800MHz or faster
RAM	512MB or larger
Others	USB2.0 Port

Recommended System Specifications

CPU	Intel® Core™ i Series or newer
RAM	2GB or larger
Others	USB2.0 Port 1920×1080 or better resolution display

Operation Confirmed OS

- Windows® XP 32bit/64bit (SP2,SP3) ※with Limited Functions
- Windows® Vista 32bit/64bit
- Windows® 7 32bit/64bit
- Windows® 8 32bit/64bit

- Windows is a registered trademark of Microsoft Corporation in the United States, Japan and other countries.
- Intel Core is a registered trademark of Intel Corporation in the United States and other countries.

- Design and specifications are subject to change without notice.
- Watec is not responsible for any inconvenience or the attendant damages to the video and monitoring recording equipment caused by misuse, misoperation or improper wiring of our equipment.
- If for any reason the WAT-01U2 does not work properly, or if you have any questions regarding installation or operation, please contact the distributor or dealer from which it was purchased.

Contact information



Address: 254-2 Nihonkoku, Daihoji, Tsuruoka- Shi, Yamagata-Ken, 997-0017 Japan
 TEL: +81-235-23-4400 FAX: +81-235-23-4409
 Email: info-o@watec.co.jp
 URL: http://www.watec.co.jp